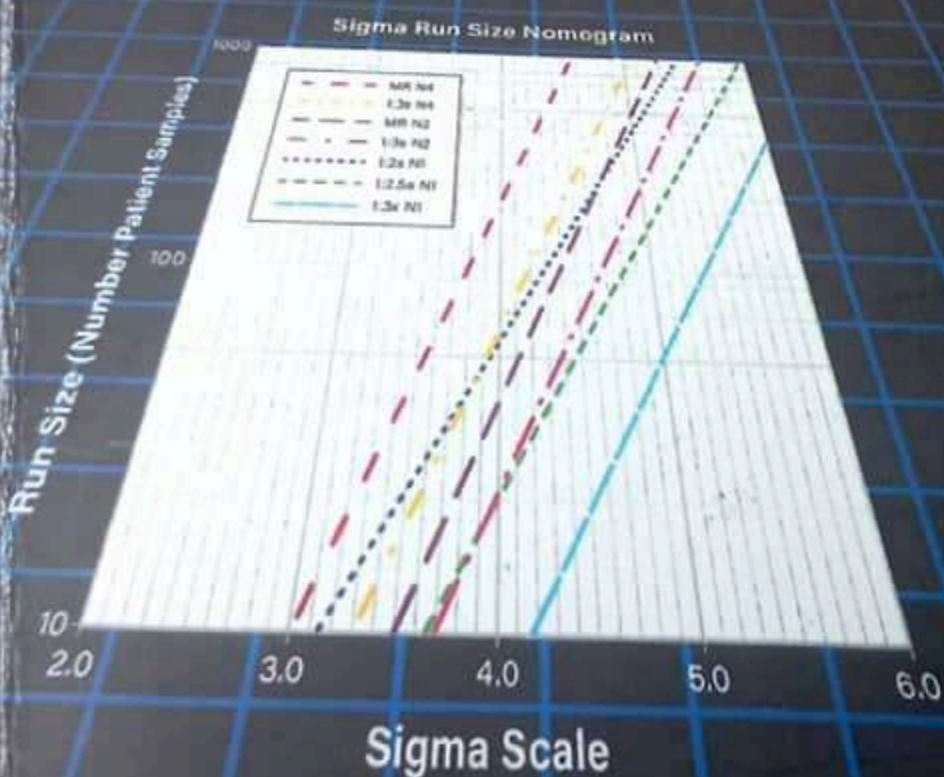
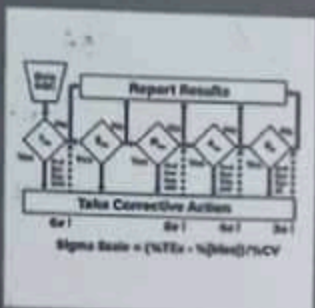
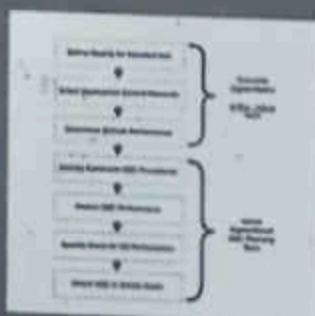
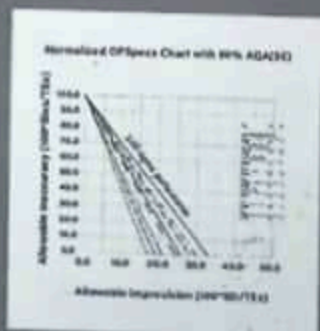
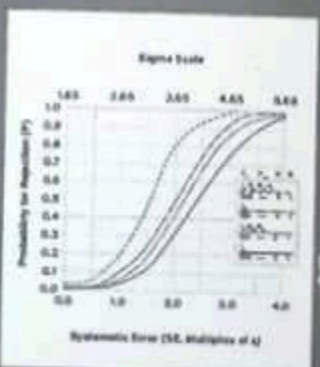
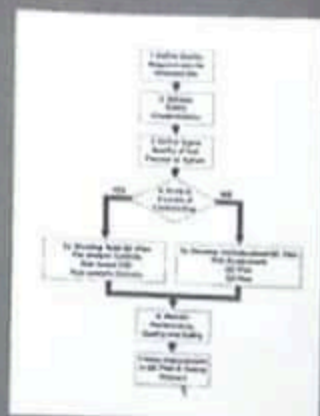


Advanced QC Strategies

Risk-Based Design for Medical Laboratories



James O. Westgard, PhD
Hassan Bayat, CLS
Sten Westgard, MS



WESTGARD
QC

Advanced QC Strategies

***Risk-Based Design
for Medical Laboratories***

***James O. Westgard, PhD
Hassan Bayat, CLS
Sten Westgard, MS***

Copyright © 2022

***Westgard QC, Inc.
7614 Gray Fox Trail
Madison WI 53717
Phone 608-833-4718
<http://www.westgard.com>***

WESTGARD **QC**

Table of Contents

Managing Quality.....	1
Reviewing Current SQC Practice Guidelines.....	13
Developing a Total QC Plan.....	27
Adopting a Sigma-Based SQC Planning Process.....	33
Planning SQC Strategies for Bracketed Operation.....	51
Optimizing QC Frequency for Patient Risk.....	71
Preparing Excel QC Frequency Calculators.....	91
Considering Sigma for Multiple Control Levels.....	101
Planning SQC for Multitest Analyzers.....	109
0. Defining Quality Required for Intended Use.....	123
1. Assessing Potential Usefulness of PBRTQC.....	131
2. Upgrading Multirules with Moving Averages.....	143
3. Re-designing QC Wrongly for the Traceability Era.....	151
4. Determining MU from QC Data.....	165
5. Evaluating Repeat:2s QC Practices.....	177
6. Standardizing Means and SDs for multiple instruments.....	189
7. Controlling Differences between Reagent Lots.....	197
8. Summing it Up!.....	205
9. Boiling it Down.....	219
20. Preparing for Practical Applications.....	235
21. A Final Word.....	255
Index.....	259